

Figure 1

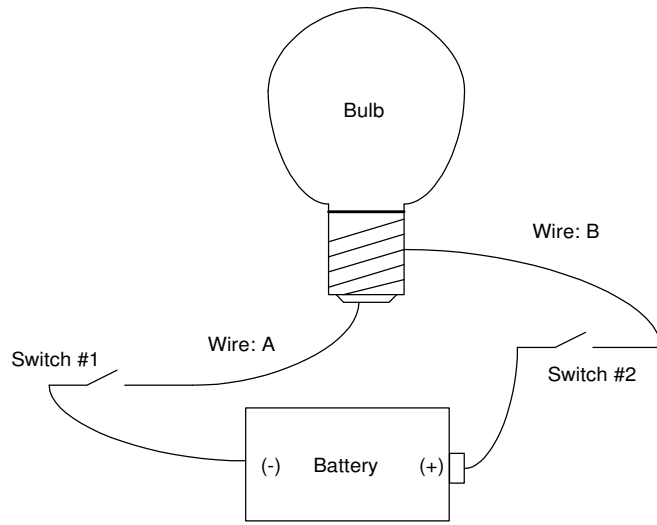


Figure 2

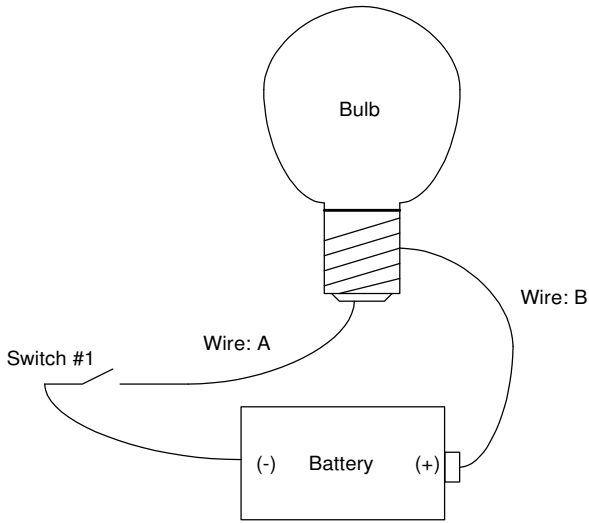


Figure 3

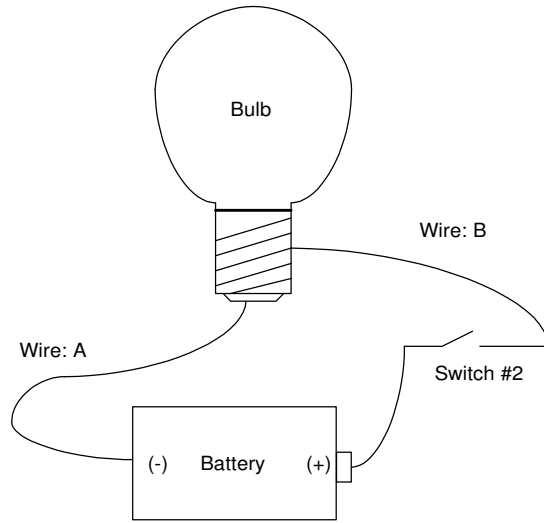


Figure 4

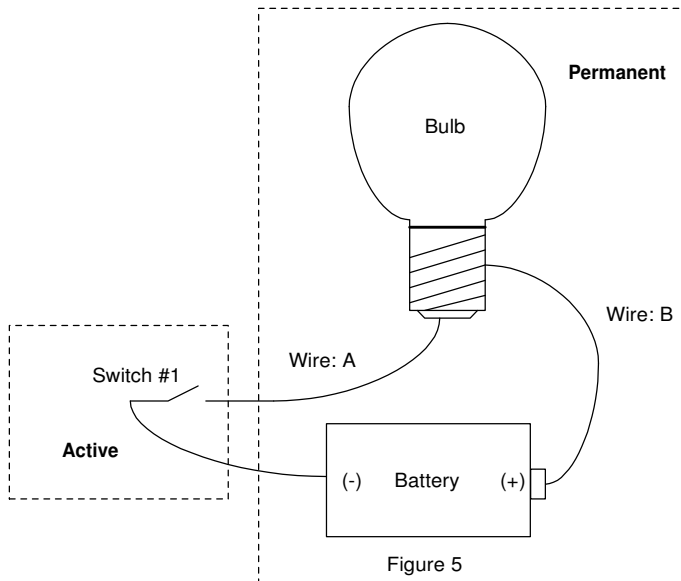


Figure 5

Title Sink - Source		
Author Gary Multer MulteX Automation		
File C:\MulteX\Elec Seminar\Lessons\SinkSource.dsn		Document
Revision 1.0	Date February 2006	Sheets 1 of 1